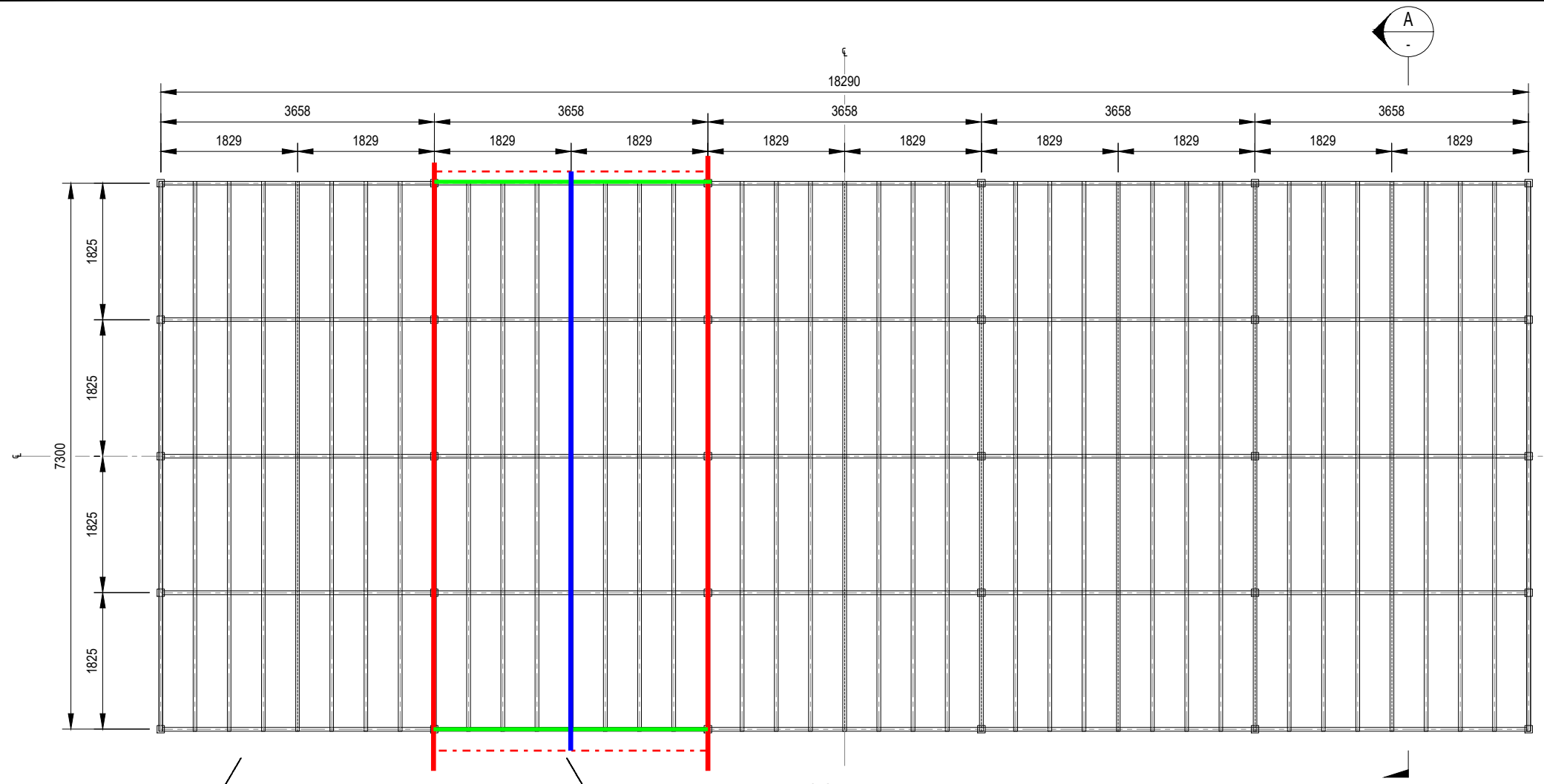


Certified By:

(BLOCK LETTERS)

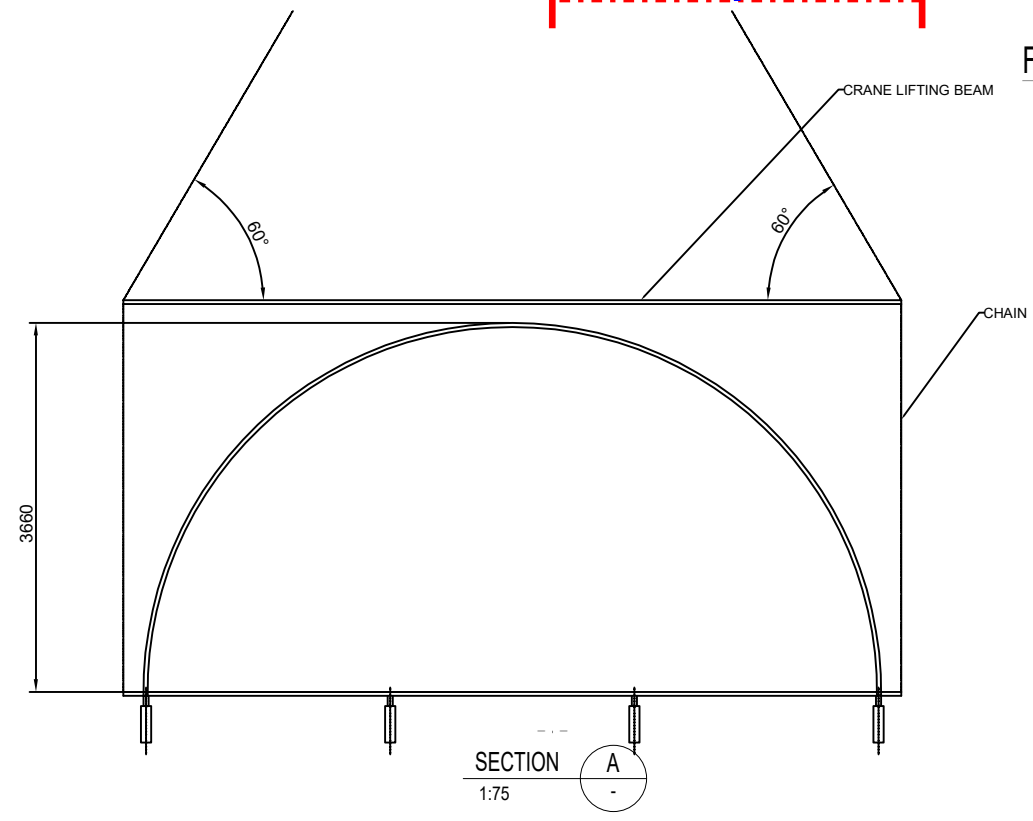
(SIGNATURE)

(DATE)

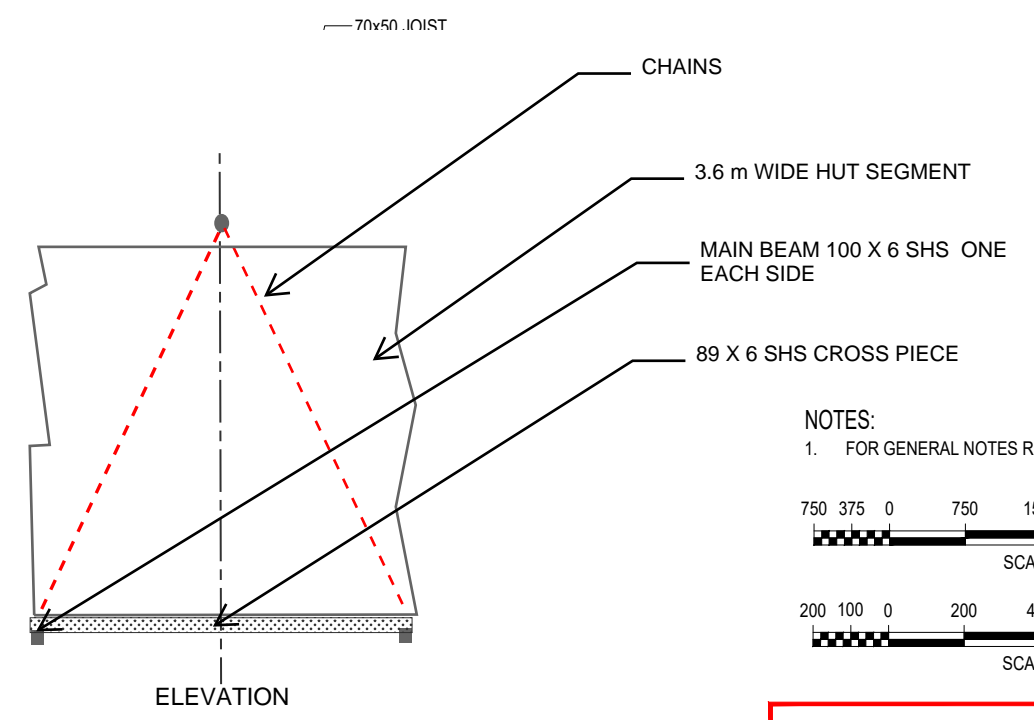


SPREADER BAR	
CHAIN	
89*6 SHS	
100*6 SHS	

FLOOR PLAN  
1:75

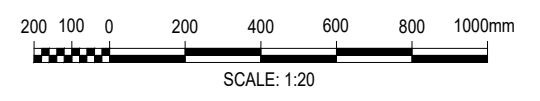
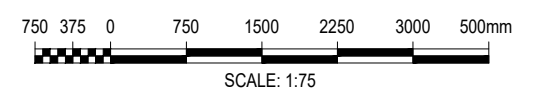


SECTION A  
1:75



ELEVATION

NOTES:  
1. FOR GENERAL NOTES REFER TO DRG. No. 0002.



**PRELIMINARY DESIGN**

10/26/2022 1:20:20 PM

Revised By	In Serv	Rev.	Date	Description	Designed	Checked	Ind. Review	Approved
HATCH		A	21/11/2022	ISSUED FOR REVIEW	RC	RH		RH

Consultant	
Franchisee / Lessee	

This drawing has been prepared by, or compiled from information provided by, persons other than PTV. To the maximum extent permissible by law, PTV takes no responsibility for, and makes no representations in relation to, the completeness, accuracy or quality of any information contained in this drawing. Each user of this drawing releases PTV from all and any loss, damage, cost, expense or liability in relation to the use of, or any reliance on, this drawing or the information contained in it.

All written dimensions take precedence over scaled dimensions.

This drawing is provided only for the information of the person or organisation to whom PTV provides it. It may not be provided to, or used by, any other person without PTV's prior written consent.

TEMPORARY WORKS		
NEXT GENERATION TRAMS		
NISSEN HUT RELOCATION		
LIFTING ARRANGEMENT		
Up Location	Down Location	Datum
East.	East.	
North.	North.	
ID#	ID#	

<b>PUBLIC TRANSPORT VICTORIA</b>	
File Name	
Sheet No.	01 of 01
In Serv.	
Scale	1:75
Sheet Size	A3

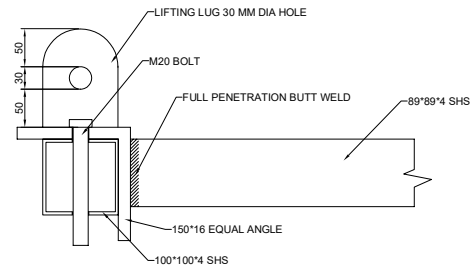
Drawn By	M SIMMONS	Designed By	R CHAMBERS
Checked By	R HOWARD	Ind. Review	
Approved	R HOWARD	Approval Date	
Drawing Number	H361624-6005-STR-DWG-001	Revision	A

Certified By:

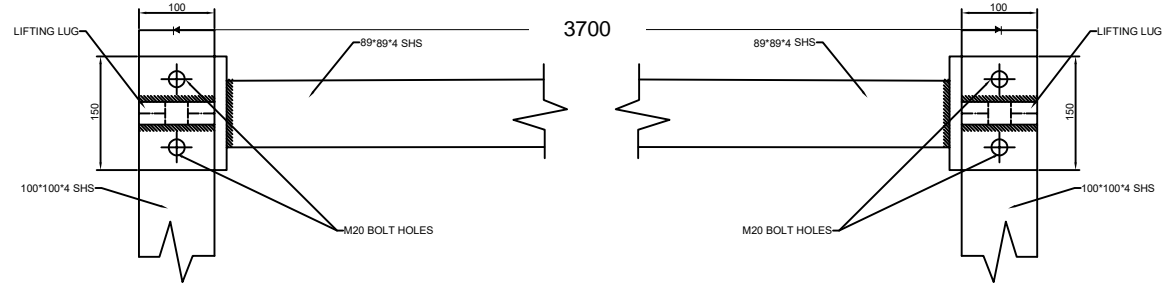
(BLOCK LETTERS)

(SIGNATURE)

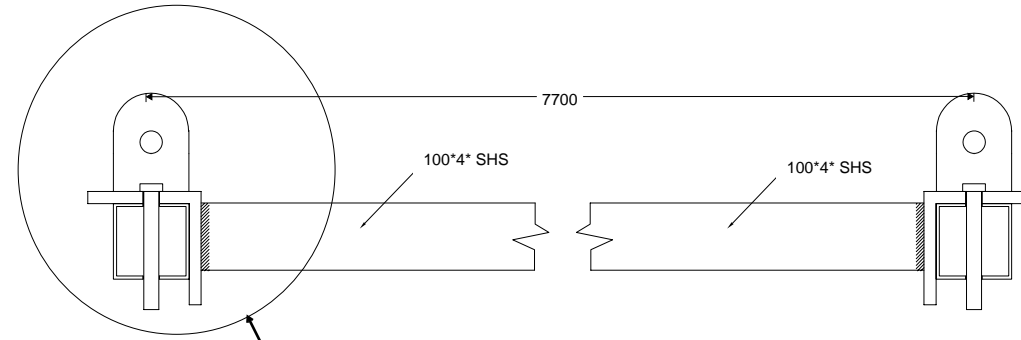
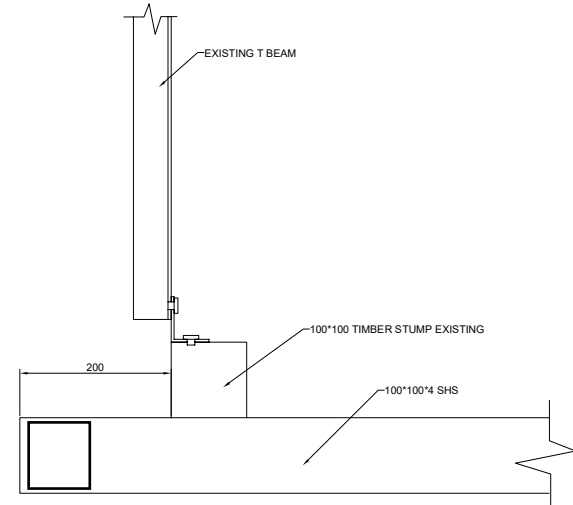
(DATE)



DETAIL A



PLAN



SECTION

DETAIL A

SCALE 1:10

**PRELIMINARY DESIGN**

10/26/2022 1:20:20 PM

Revised By	In Serv	Rev.	Date	Description	Designed	Checked	Ind. Review	Approved
HATCH		A	21/11/2022	ISSUED FOR REVIEW	RC	RH		RH

Consultant	
Franchisee / Lessee	

This drawing has been prepared by, or compiled from information provided by, persons other than PTV. To the maximum extent permissible by law, PTV takes no responsibility for, and makes no representations in relation to, the completeness, accuracy or quality of any information contained in this drawing. Each user of this drawing releases PTV from all and any loss, damage, cost, expense or liability in relation to the use of, or any reliance on, this drawing or the information contained in it.

All written dimensions take precedence over scaled dimensions.

This drawing is provided only for the information of the person or organisation to whom PTV provides it. It may not be provided to, or used by, any other person without PTV's prior written consent.

TEMPORARY WORKS		
NEXT GENERATION TRAMS		
NISSEN HUT RELOCATION		
LIFTING DETAILS		
Up Location	Down Location	Datum
East.	East.	
North.	North.	
ID#	ID#	

PUBLIC TRANSPORT VICTORIA <b>PT</b>	
File Name	
Sheet No.	01 of 01
In Serv.	
Scale	1:75
Sheet Size	A3

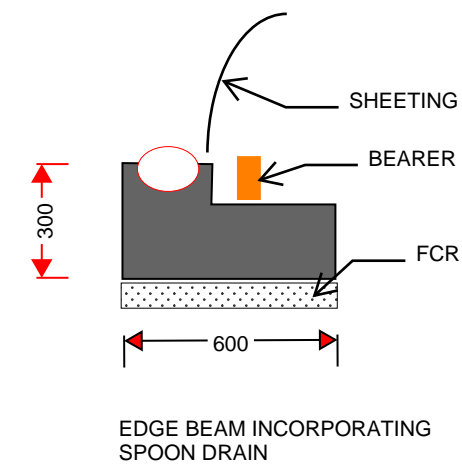
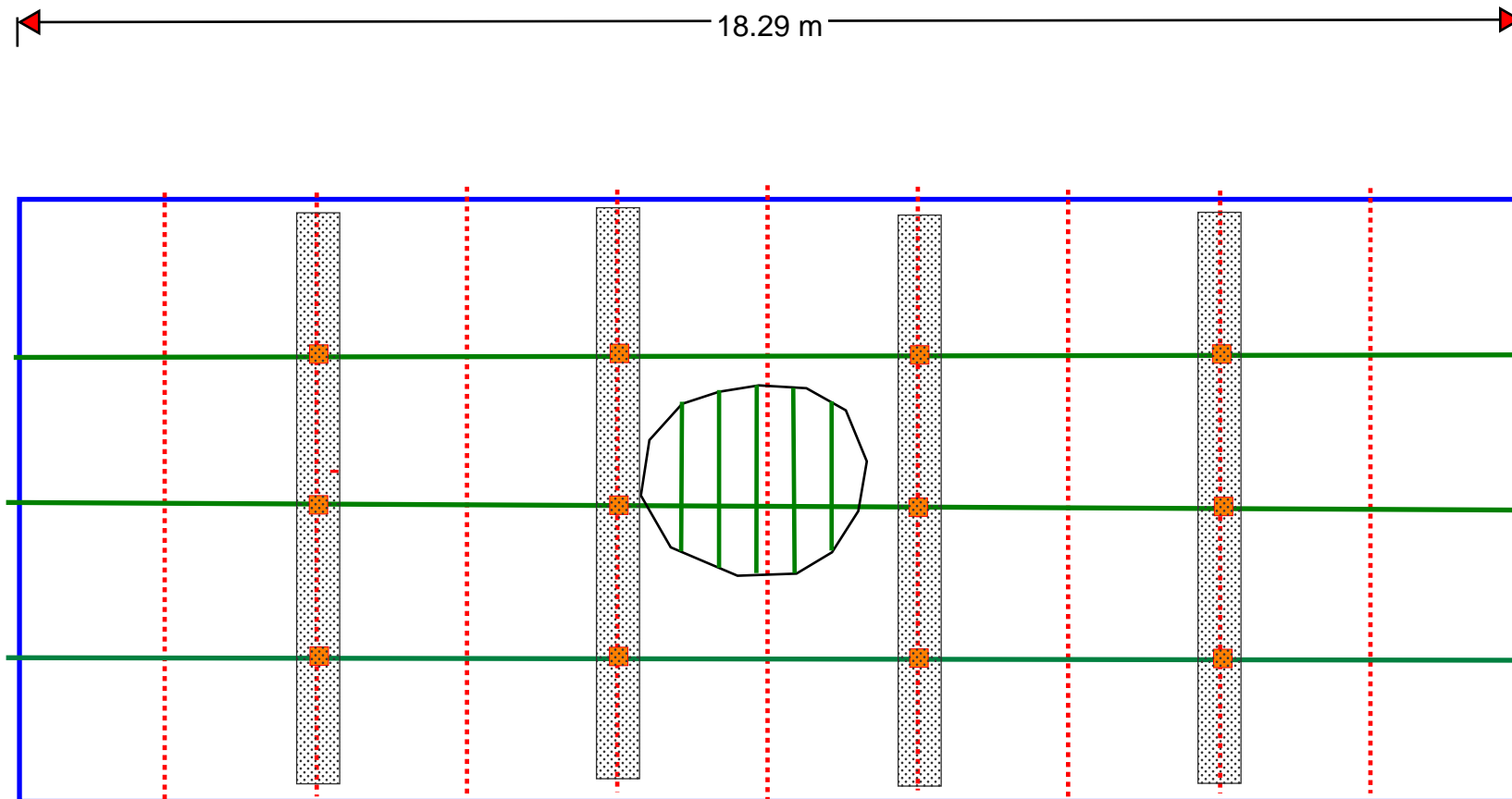
Drawn By	M SIMMONS	Designed By	R CHAMBERS
Checked By	R HOWARD	Ind. Review	
Approved	R HOWARD	Approval Date	
Drawing Number	H361624-6005-STR-DWG-002	Revision	A

(DATE)

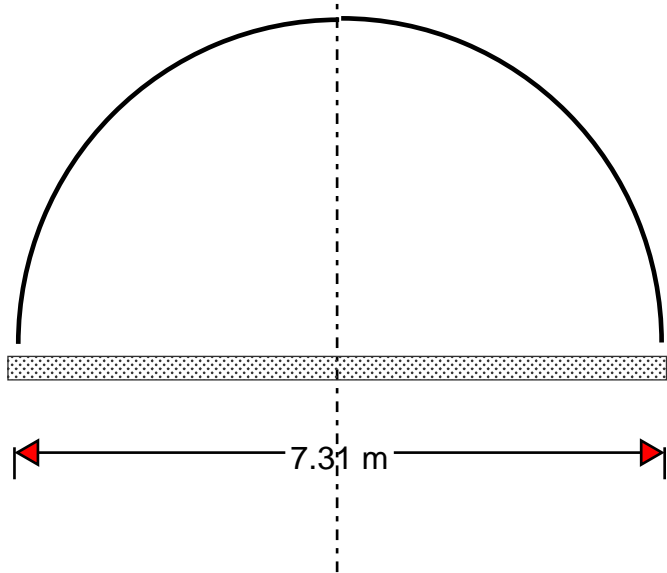
(SIGNATURE)

(BLOCK LETTERS)

Certified By:



PLAN

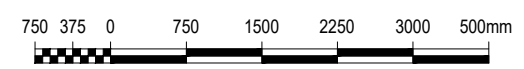


LEGEND

- EDGE BEAM
- STRIP FOOTING 750 X 150 ON 100 FCR
- STUMPS FIXED TO STRIP FOOTING

NOTES:

1. FOR GENERAL NOTES REFER TO DRG. No. 0002.



SCALE: 1:75



SCALE: 1:20

**PRELIMINARY DESIGN**

10/26/2022 1:20:20 PM

Revised By	In Serv	Rev.	Date	Description	Designed	Checked	Ind. Review	Approved
HATCH		A	21/11/2022	ISSUED FOR REVIEW	RC	RH		RH

Consultant	
Franchisee / Lessee	

This drawing has been prepared by, or compiled from information provided by, persons other than PTV. To the maximum extent permissible by law, PTV takes no responsibility for, and makes no representations in relation to, the completeness, accuracy or quality of any information contained in this drawing. Each user of this drawing releases PTV from all and any loss, damage, cost, expense or liability in relation to the use of, or any reliance on, this drawing or the information contained in it.

All written dimensions take precedence over scaled dimensions.

This drawing is provided only for the information of the person or organisation to whom PTV provides it. It may not be provided to, or used by, any other person without PTV's prior written consent.

<b>TEMPORARY WORKS</b>		
<b>NEXT GENERATION TRAMS</b>		
NISSEN HUT RELOCATION		
NEW FOUNDATION DESIGN		
Up Location East. North. ID#	Down Location East. North. ID#	Datum

<b>PUBLIC TRANSPORT VICTORIA</b>		PT
File Name		
Sheet No.	01 of 01	
In Serv.		
Scale 1:75	Sheet Size A3	

Drawn By	M SIMMONS	Designed By	R CHAMBERS
Checked By	R HOWARD	Ind. Review	
Approved	R HOWARD	Approval Date	
Drawing Number	H361624-6005-STR-DWG-003		Revision
			A