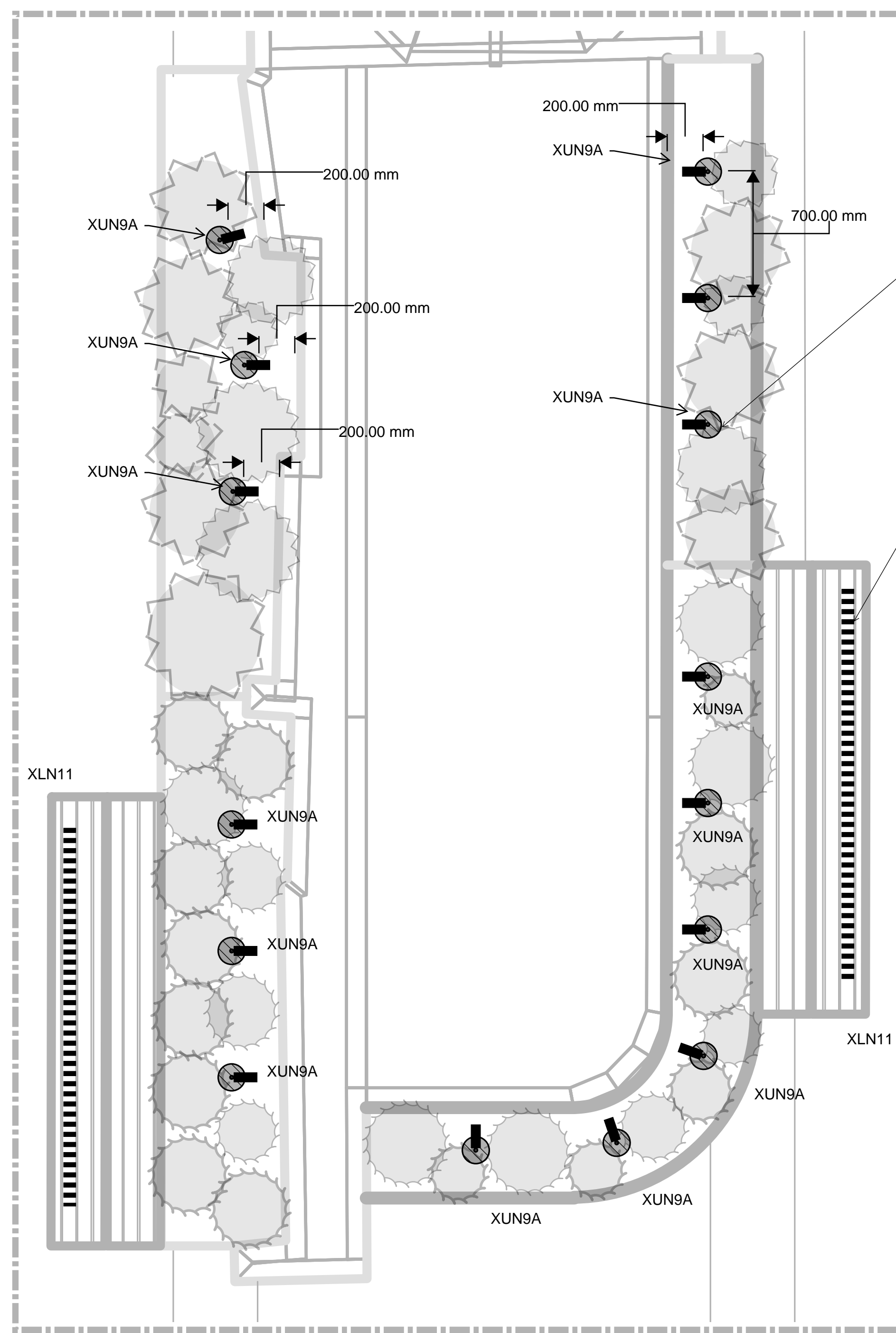
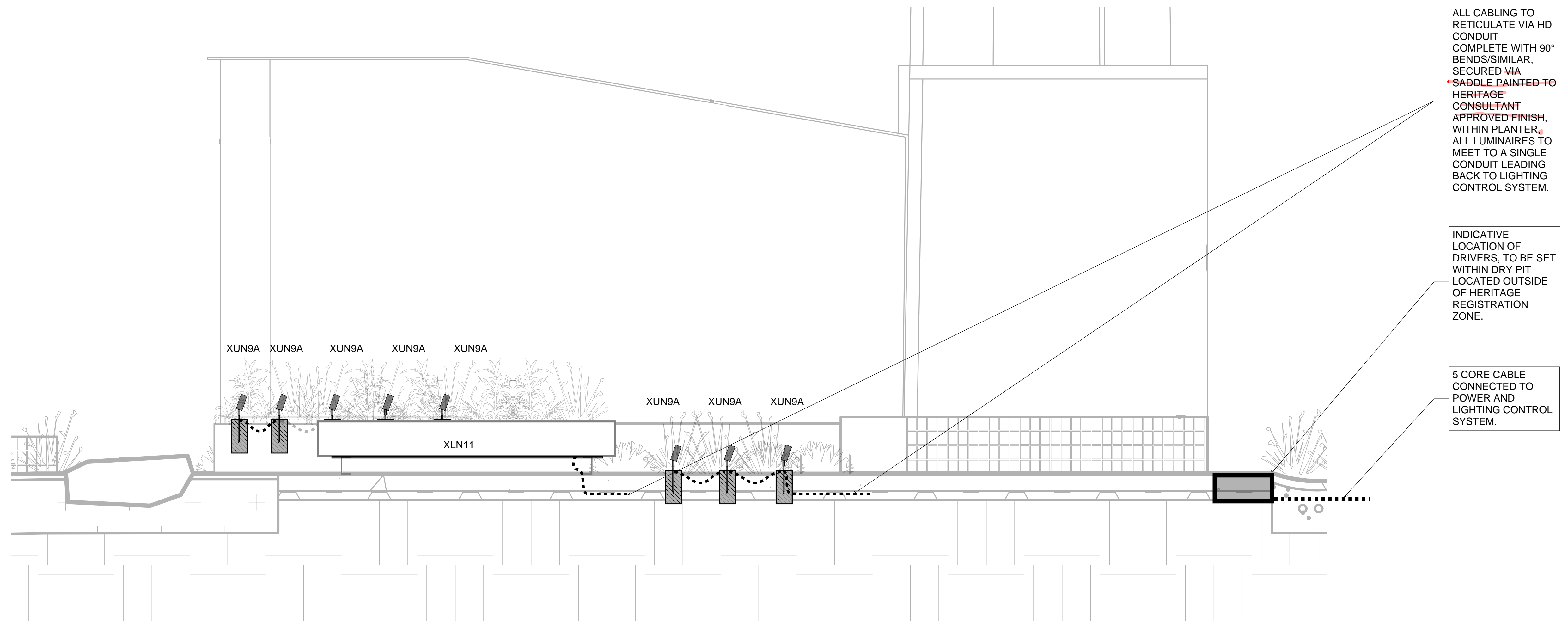


VHR EXTENT OF REGISTRATION



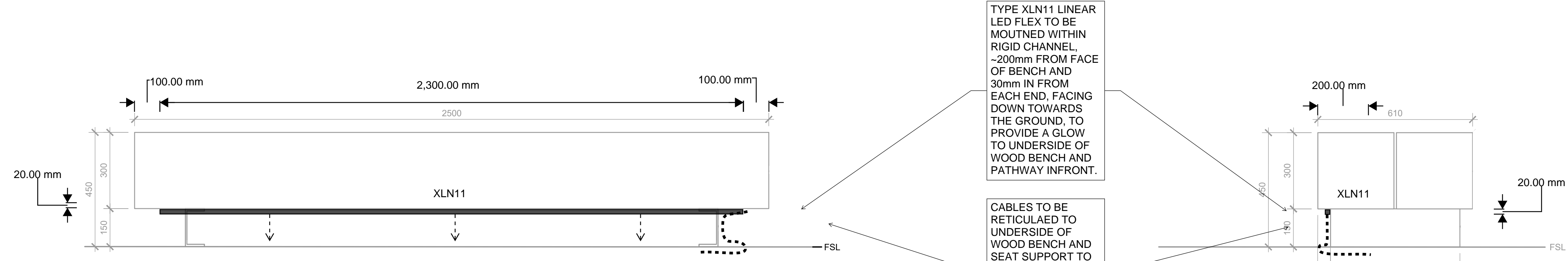
ALL TYPE XUN9 SPIKE SPOTS TO BE MOUNTED WITHIN CONCRETE FILLED PIPE.  
CONCRETE FILLED PIPE TO SIT BELOW FLUSH WITH TOP OF GARDEN BED SO THAT IT IS HIDDEN FROM DIRECT VIEW.  
FINISH TO BE 'AGED BRASS', AS PER MANUFACTURERS STANDARD FINISH OPTIONS.  
ALL TYPE XLN11 LINEAR LED FLEX TO BE SURFACE MOUNTED WITHIN CHANNEL TO BOTTOM OF TIMBER BENCH SEATING, FACING DOWN.

A.1 VHR CHIMNEY AND FIRE TUNNEL LIGHTING PLAN  
1:20



ALL CABLING TO RETICULATE VIA HD CONDUIT COMPLETE WITH 90° BENDS/SIMILAR, SECURED VIA SADDLE PAINTED TO HERITAGE CONSULTANT APPROVED FINISH, WITHIN PLANTER. ALL LUMINAIRES TO MEET TO A SINGLE CONDUIT LEADING BACK TO LIGHTING CONTROL SYSTEM.  
INDICATIVE LOCATION OF DRIVERS, TO BE SET WITHIN DRY PIT LOCATED OUTSIDE OF HERITAGE REGISTRATION ZONE.  
5 CORE CABLE CONNECTED TO POWER AND LIGHTING CONTROL SYSTEM.

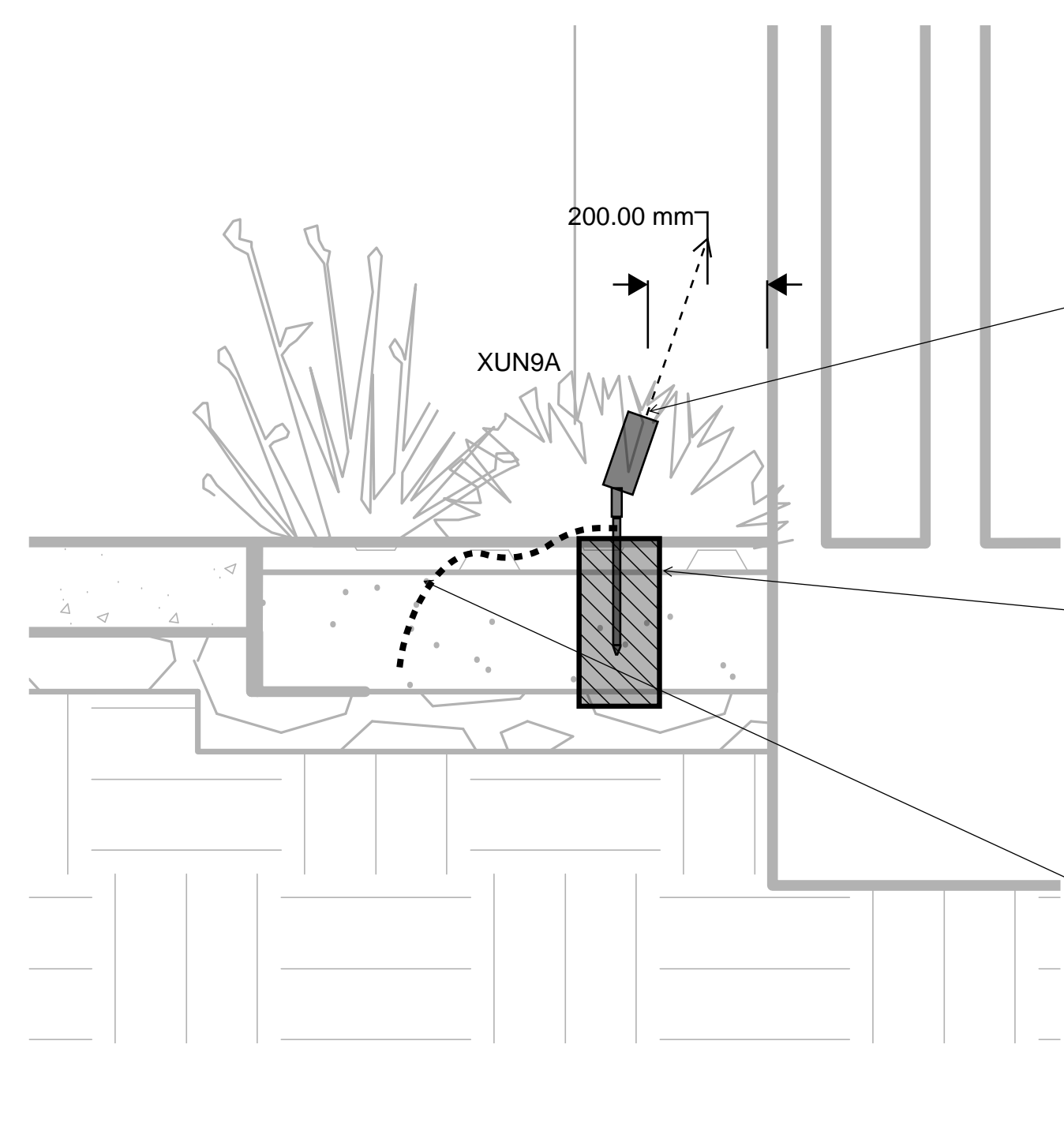
2 SPOTLIGHT AND LINEAR FLEX LOCATIONS FIRE TUNNEL ELEVATION, TYPE XUN9 AND TYPE XLN11  
1:20



TYPE XLN11 LINEAR LED FLEX TO BE MOUNTED WITHIN RIGID CHANNEL, 200mm FROM FACE OF BENCH AND 30mm IN FROM EACH END, FACING DOWN TOWARDS THE GROUND, TO PROVIDE A GLOW TO UNDERSIDE OF WOOD BENCH AND PATHWAY INFRONT.  
CABLES TO BE RETICULATED TO UNDERSIDE OF WOOD BENCH AND SEAT SUPPORT TO NEAREST DRY/GROUND PIT OR EQUIVALENT TO DRIVERS AND LIGHTING CONTROL SYSTEM.

3.1 WOOD BENCH LENGTH LIGHTING SECTION DETAIL TYPE XLN11  
1:10

3.2 WOOD BENCH LIGHTING SECTION DETAIL TYPE XLN11  
1:10



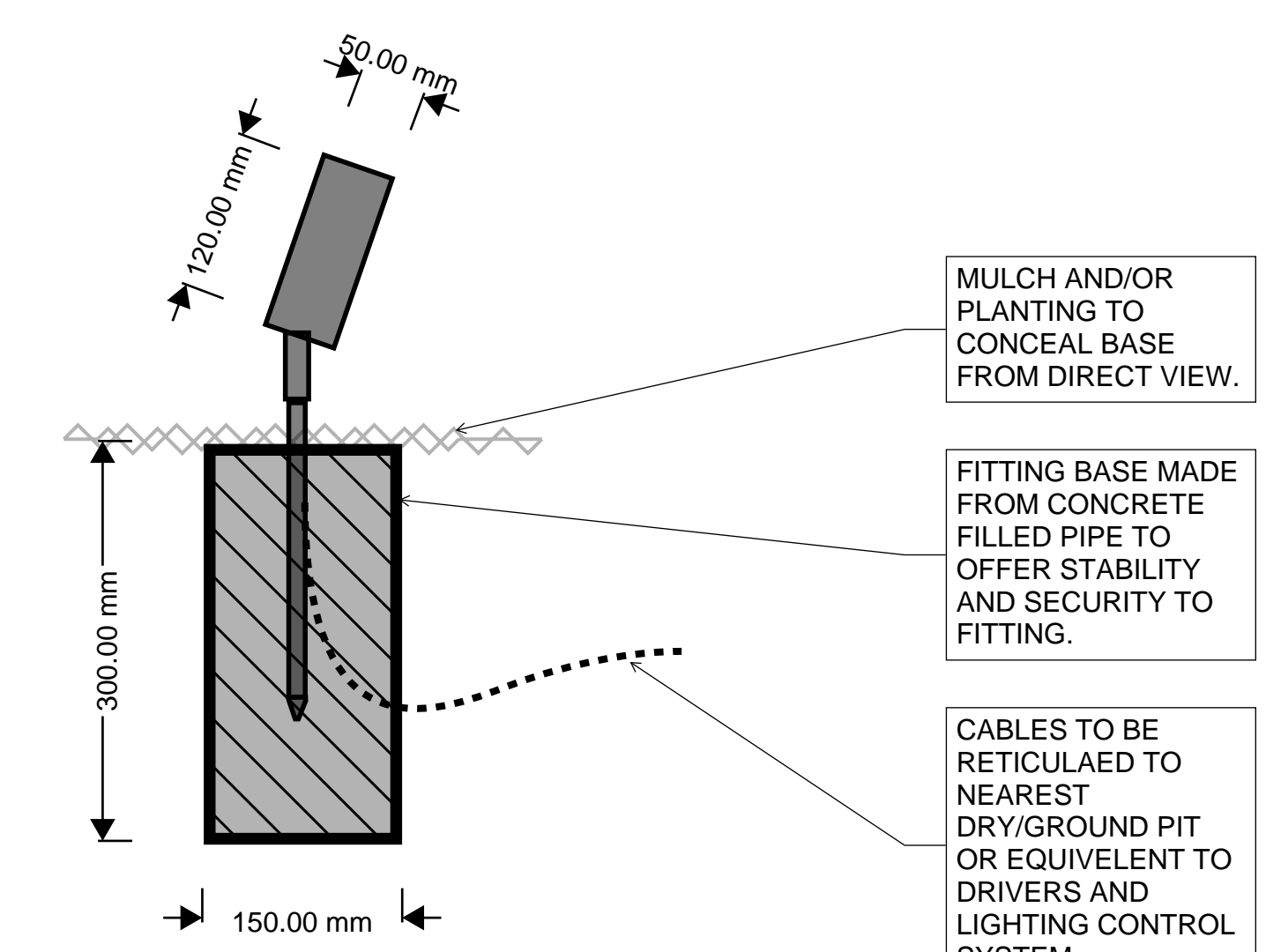
TYPE XUN9 SPIKE SPOTLIGHT, POSITIONED APPROX. 200mm FROM FIRE CHIMNEY BRICK WALL, FACING UP TO GRAZE AND ADD TEXTURE TO VERTICALS.  
FITTING BASE MADE FROM CONCRETE FILLED PIPE TO OFFER STABILITY AND SECURITY TO FITTING.  
CABLING CAN BE RETICULATED WITHIN THIS BASE THROUGH CONDUIT TO PROTECT CABLING.  
CABLES TO BE RETICULATED TO NEAREST DRY/GROUND PIT OR EQUIVALENT TO DRIVERS AND LIGHTING CONTROL SYSTEM.

1 FIRE CHIMNEY UPLIGHTING SECTION DETAIL TYPE XUN9  
1:10

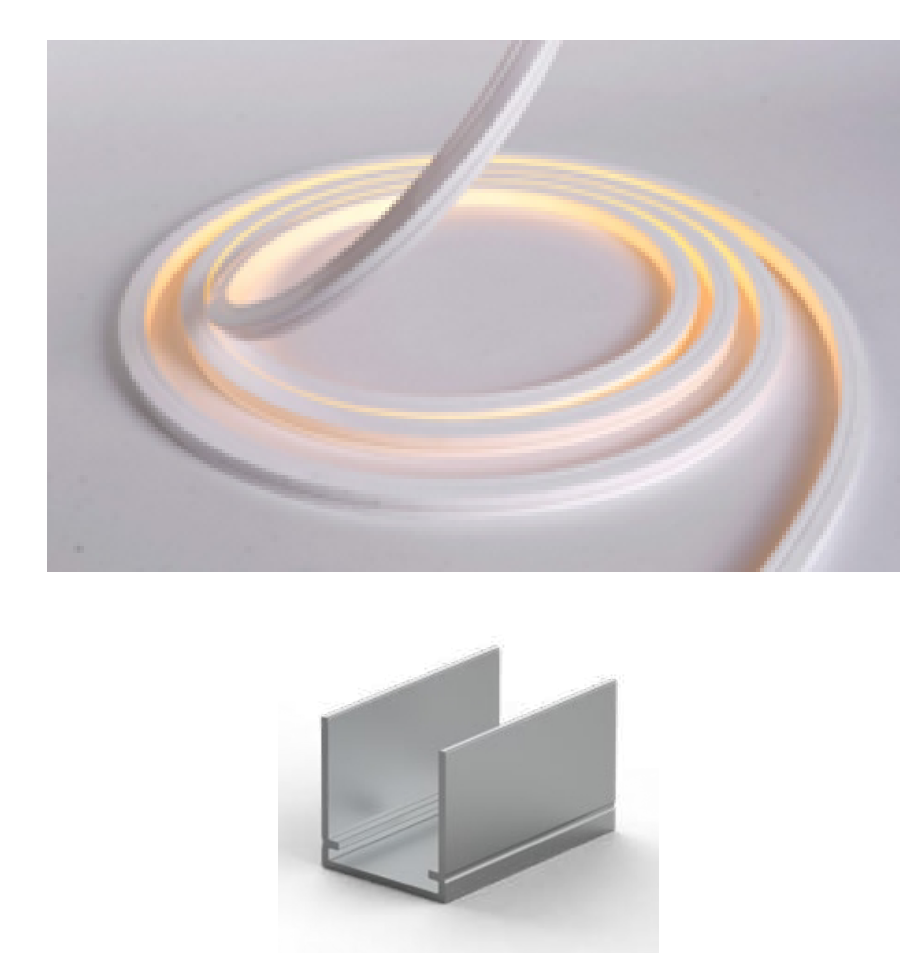


FINISH TO BE 'AGED BRASS', AS PER MANUFACTURERS STANDARD FINISH OPTIONS.  
MULCH AND/OR PLANTING TO CONCEAL BASE FROM DIRECT VIEW.  
FITTING BASE MADE FROM CONCRETE FILLED PIPE TO OFFER STABILITY AND SECURITY TO FITTING.  
CABLES TO BE RETICULATED TO NEAREST DRY/GROUND PIT OR EQUIVALENT TO DRIVERS AND LIGHTING CONTROL SYSTEM.

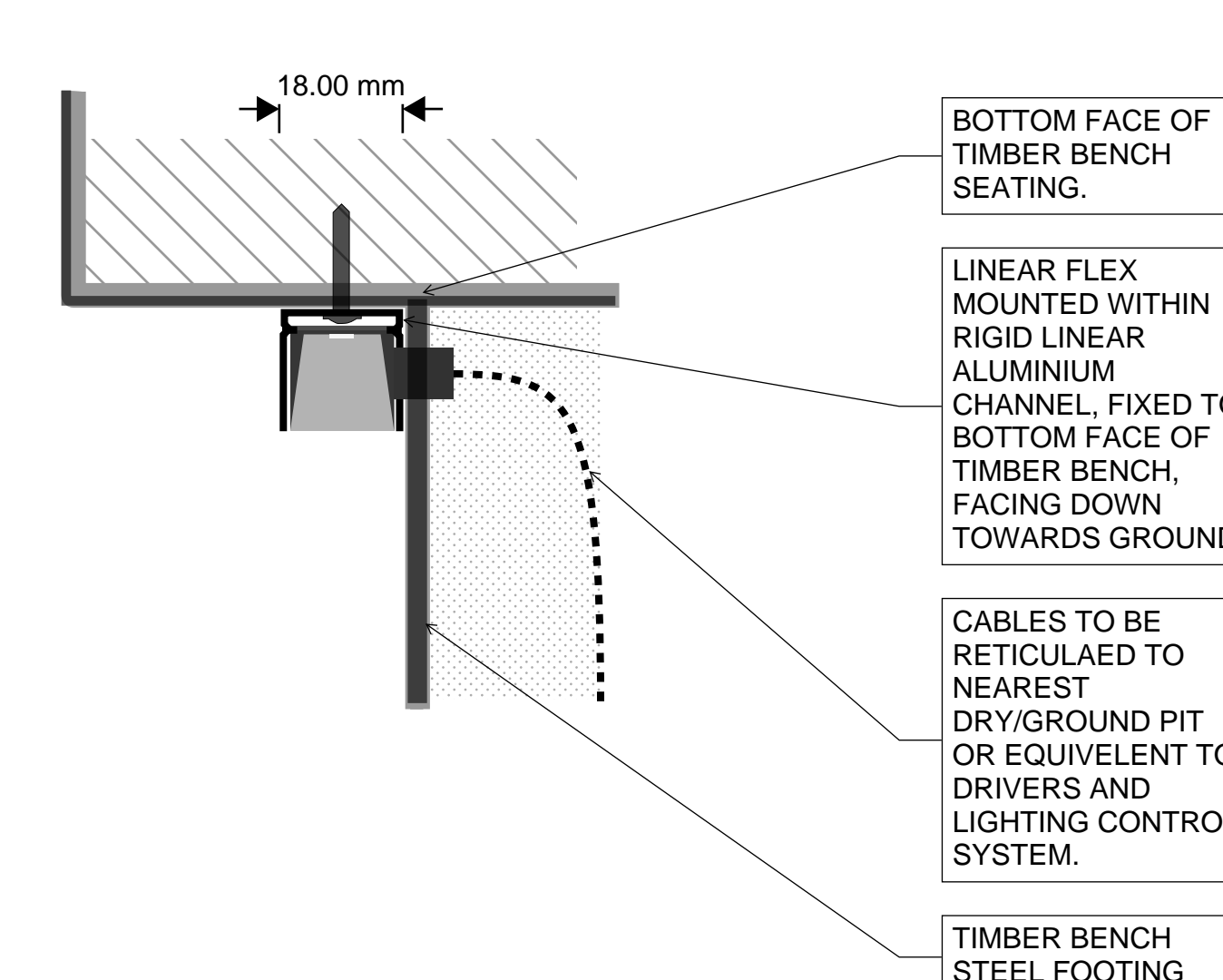
4.1 SPIKE SPOTLIGHT FINISH OPTIONS TYPE XUN9A  
NTS



4.2 SPIKE SPOTLIGHT DETAIL TYPE XUN9A  
1:5



5.1 LINEAR LED FLEX AND RIGID CHANNEL FINISH TYPE XLN11  
NTS



5.2 WOOD BENCH LIGHTING SECTION DETAIL TYPE XLN11  
1:1

BOTTOM FACE OF TIMBER BENCH SEATING.  
LINEAR FLEX MOUNTED WITHIN RIGID LINEAR ALUMINIUM CHANNEL, FIXED TO BOTTOM FACE OF TIMBER BENCH, FACING DOWN TOWARDS GROUND.  
CABLES TO BE RETICULATED TO NEAREST DRY/GROUND PIT OR EQUIVALENT TO DRIVERS AND LIGHTING CONTROL SYSTEM.  
TIMBER BENCH STEEL FOOTING

Rev	Description	Date	Rev	Description	Date
T01	TENDER ISSUE	04.04.24			

**NDYLIGHT**  
LIGHTING DESIGN

NDYLIGHT 13/90 ARTHUR ST, NORTH SYDNEY, NSW 2060, AUS  
TELEPHONE +61 2 9928 6900 FACSIMILE +61 2 9955 6900 http://www.ndy.com  
A SPECIALIST DIVISION OF NDY Management Pty Ltd ABN 29 003 234 571  
Copyright ©NDY Management Pty Limited.

NDY QA SYSTEM  
Reason For Issue  
**TENDER**  
Authorisation  
By: SD: 04.04.2024  
Verification Of Latest Amendment  
By: NB: 04.04.2024

**Norman Disney & Young**

Level 48, 80 Collins Street,  
North Tower, Melbourne, VIC  
3000, Australia  
T +61 3 9862 6900  
www.ndy.com  
NDY Management Pty Ltd  
ABN 29 003 234 571

This drawing is diagrammatic and shows the general arrangement of equipment. Any information involving measurement of the works shall be taken from architectural and structural drawings, workshop drawings by others and conditions at the site. The works shall comply with the contract conditions and Statutory Regulations.

Project: **VSB**  
342 – 348 & 368 – 370 VICTORIA STREET,  
BRUNSWICK

Title: LIGHTING DESIGN SERVICES  
**FIRE TUNNEL LIGHTING DETAILS**

Scale: AS INDICATED Date: 04/04/2024 Drawn: DG Design: SD Project No: M40886-N01

Set Of: 06/08  
Drawing No: LL06[02] Revision: T01