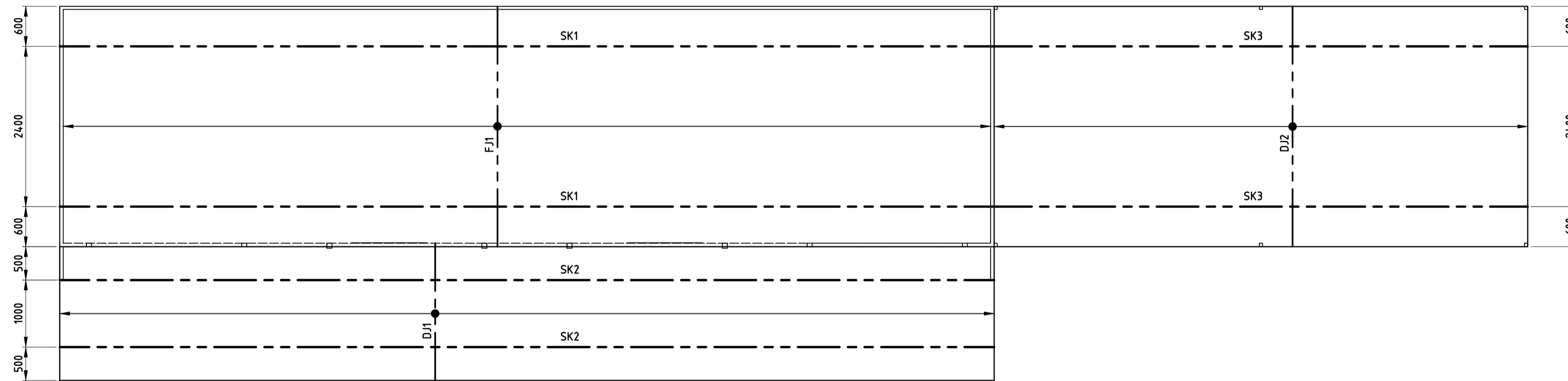
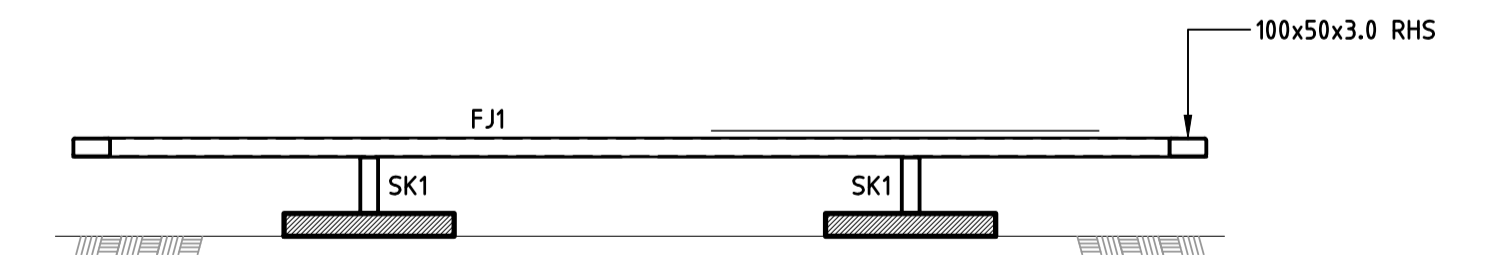
 450x450x60 THICK CONCRETE SOLE PLATE OR 390x390 BESSER BLOCKS

FOOTING PLAN
SCALE = 1:50



BASE FRAMING PLAN
SCALE = 1:50

MEMBER SCHEDULE		
TYPE	MARK	SIZE / REMARKS
FLOOR JOIST	FJ1	50x50x1.6 SHS AT 450 CTS
DECK JOIST	DJ1	50x50x1.6 SHS AT 450 CTS
	DJ2	50x50x1.6 SHS AT 450 CTS
SKID	SK1	150x50x3.0 RHS
	SK2	150x50x3.0 RHS
	SK3	150x50x3.0 RHS



SECTION DETAIL
SCALE = 1:20

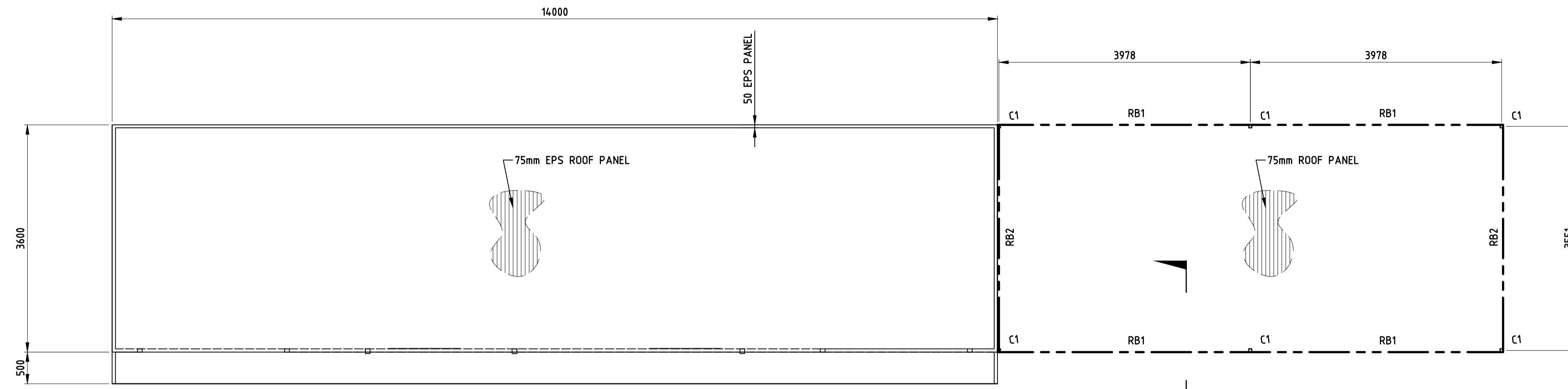
REV	DATE	DESCRIPTION

ARCHITECT	
FOUNDATIONS	Foundation material to be approved before pouring concrete for safe bearing capacity :
SOIL CLASSIFICATION :	
CONCRETE STRENGTH:	



CONSULTING STRUCTURAL & CIVIL ENGINEERS
 ABN 97 988 384 379
 39 LYNCH STREET
 HAWTHORN VICTORIA 3122
TDC@TDCENG.COM.AU
WWW.TDCENG.COM.AU
 PHONE 0421 339 087

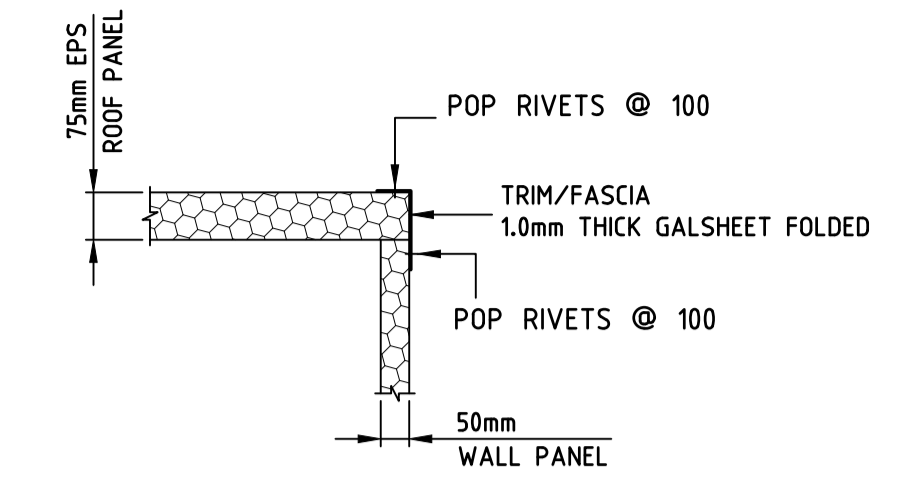
SHEET TITLE FOOTING AND BASE FRAMING PLAN		DESIGNED T NGUYEN	SCALE 1:50
PROJECT 14x3.6MT BUILDING PORT ALBERT MARITIME MUSEUM 78 TARRAVILLE ROAD, PORT ALBERT VIC 3971		DRAWN T NGUYEN	DATE JULY 2024
DRAWING No 245390-S1		REV 1	



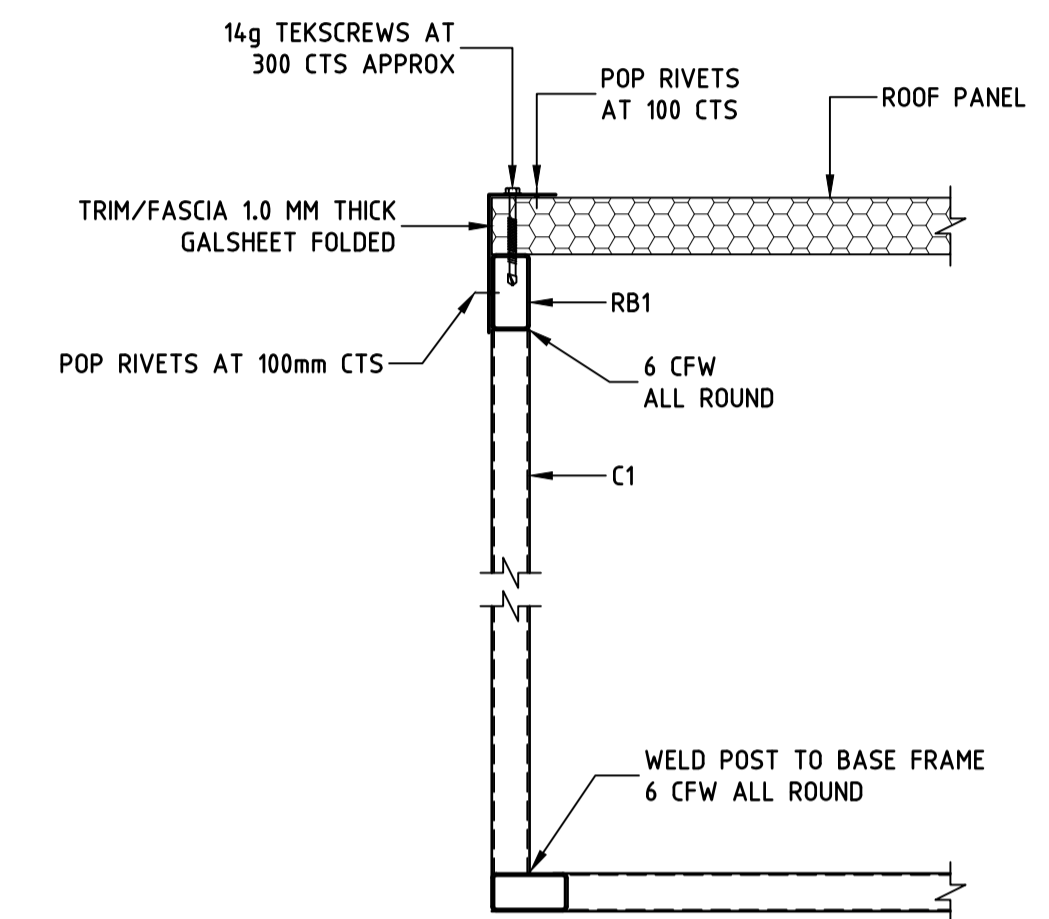
ROOF FRAMING PLAN
SCALE = 1:50

ROOF PANEL: 75mm THICK EPS PANEL
0.6 BMT SKINS
WALL PANEL: 50mm THICK EPS PANEL
0.6 BMT SKINS

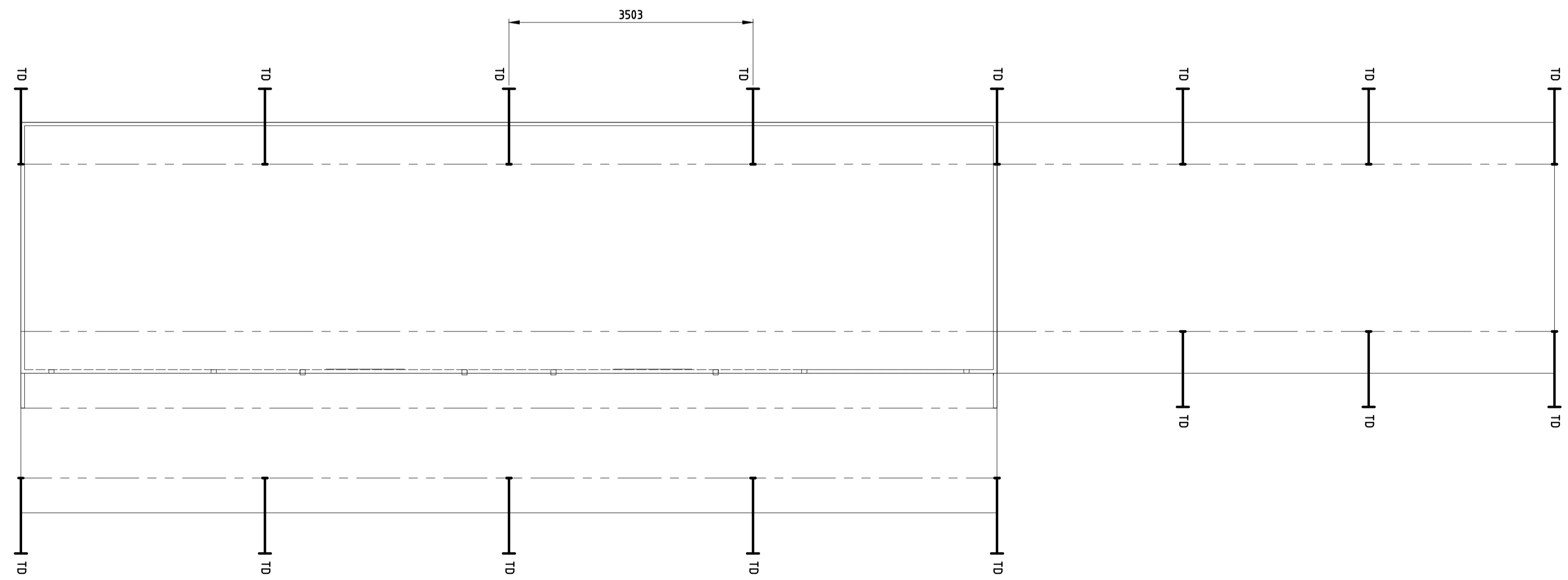
MEMBER SCHEDULE		
TYPE	MARK	SIZE / REMARKS
ROOF BEAM	RB1	100x50x3.0 RHS
	RB2	100x50x3.0 RHS
COLUMN	C1	50x50x3.0 SHS



ROOF CONNECTION DETAIL(TYP)

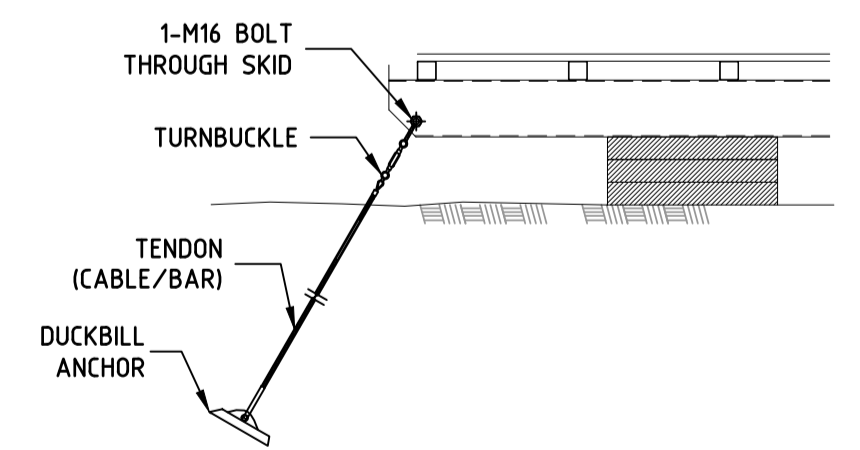


SECTION 1/S2
SCALE = 1:10



TIE DOWN PLAN
SCALE = 1:50

MEMBER SCHEDULE		
TYPE	MARK	SIZE / REMARKS
TIE DOWN	TD	DB-88 DUCKBILL EARTH ANCHOR-REFER DETAIL



TIE DOWN DETAIL-TYPICAL

REV	DATE	DESCRIPTION

ARCHITECT

FOUNDATIONS
Foundation material to be approved before pouring concrete for safe bearing capacity :
SOIL CLASSIFICATION :
CONCRETE STRENGTH:



CONSULTING STRUCTURAL & CIVIL ENGINEERS
ABN 97 988 384 379
39 LYNCH STREET
HAWTHORN VICTORIA 3122
TDC@TDCENG.COM.AU
WWW.TDCENG.COM.AU
PHONE 0421 339 087

SHEET TITLE
ROOF FRAMING AND CONNECTION DETAILS

PROJECT
14x3.6MT BUILDING
PORT ALBERT MARITIME MUSEUM
78 TARRAVILLE ROAD, PORT ALBERT VIC 3971

DESIGNED T NGUYEN	SCALE 1:50;1:20
DRAWN T NGUYEN	DATE JULY 2024
DRAWING No 245390-S2	REV 1