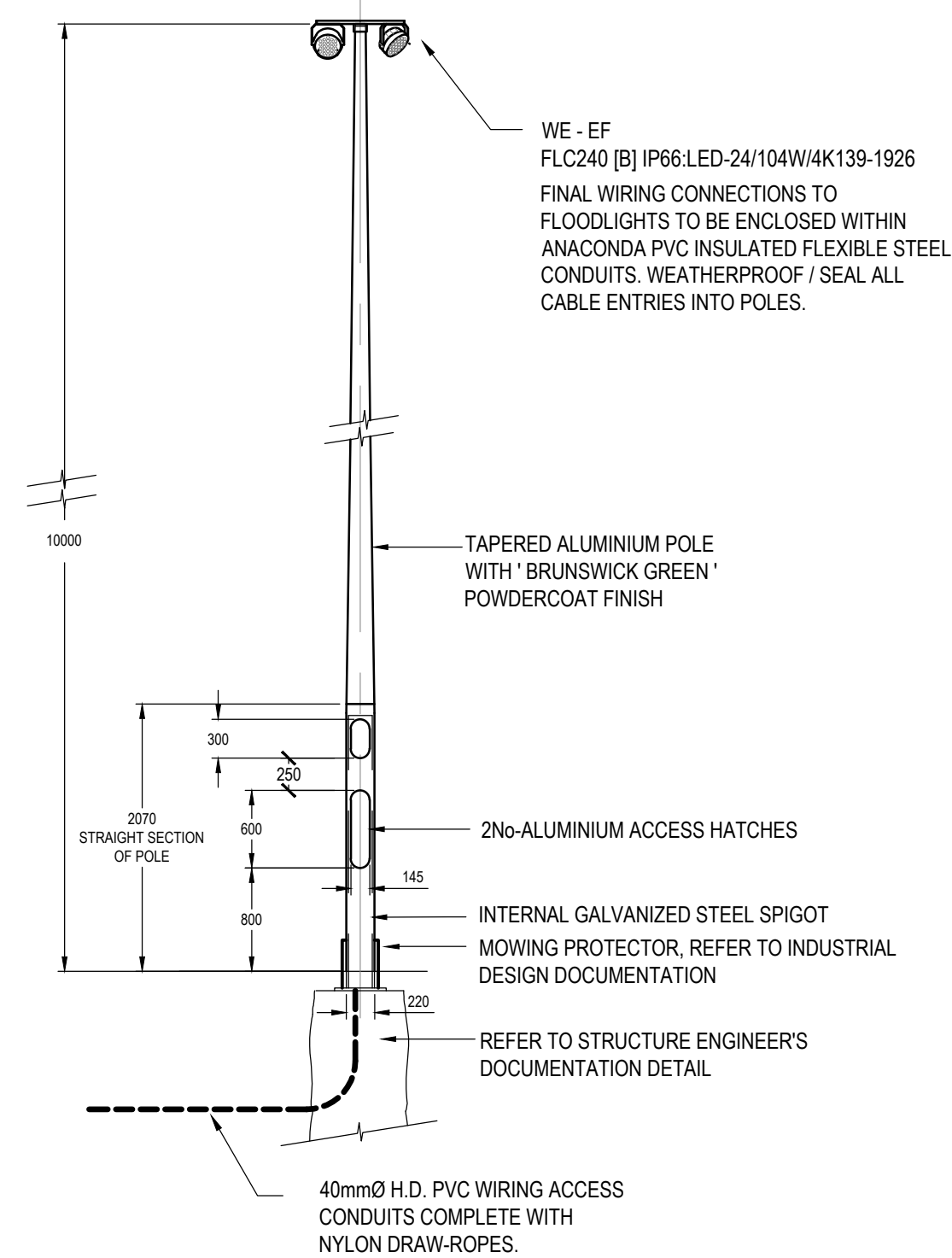


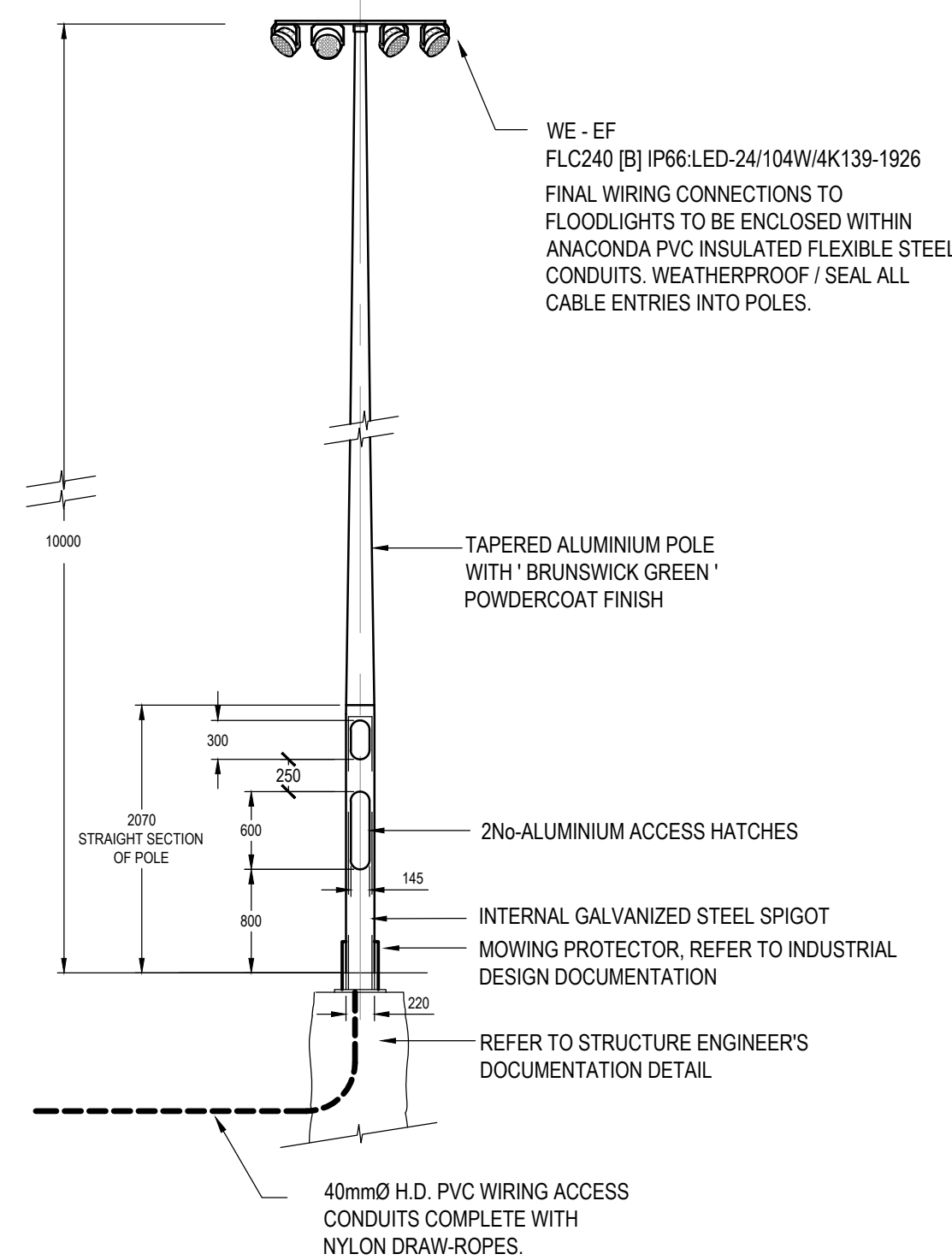
**TYPICAL PARK ALUMINIUM LIGHTING POLE
(FOR POLES P6 TO P13)**

[N.T.S.]



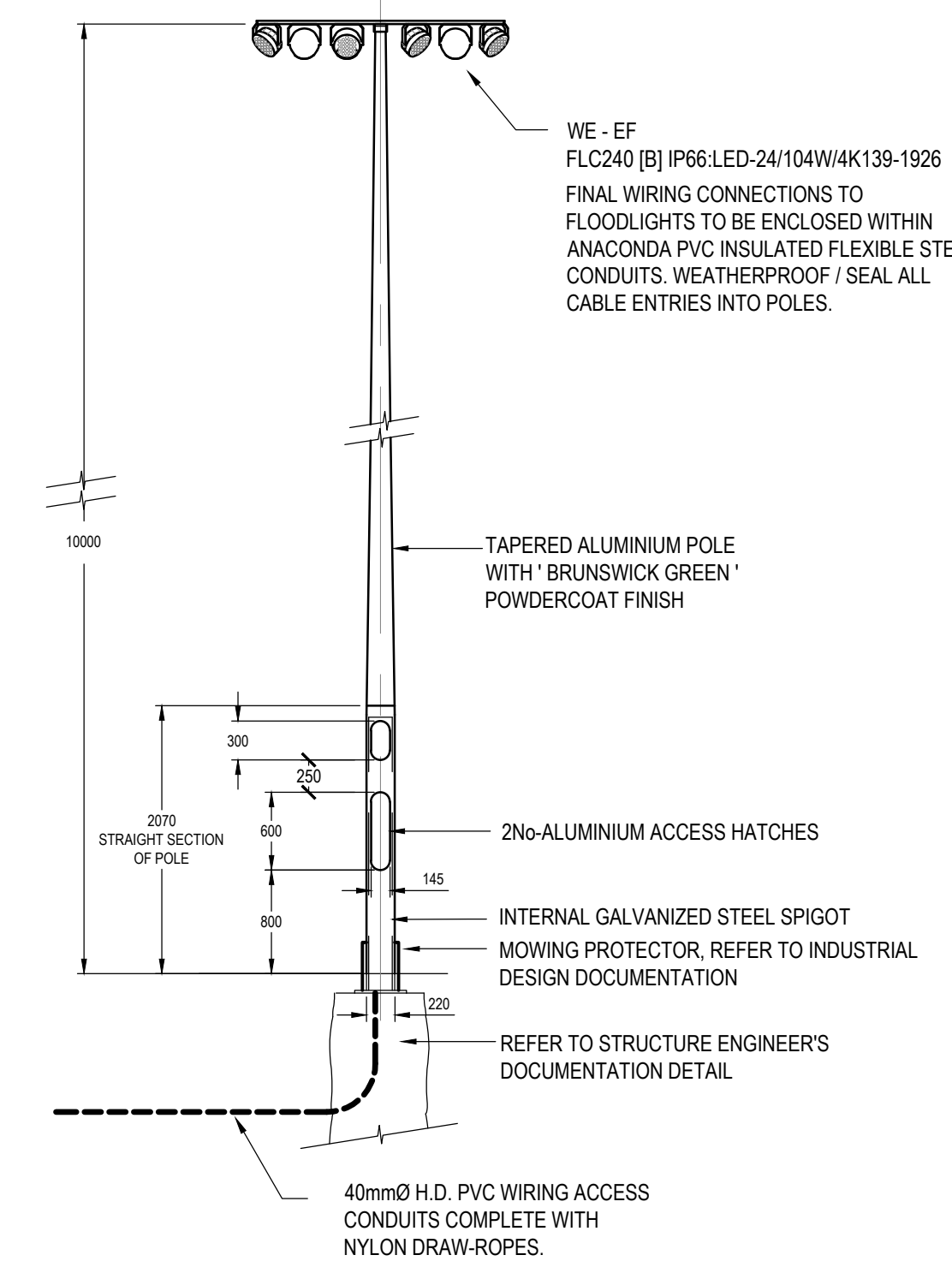
**TYPICAL 2 LUMINAIRE LIGHTING POLE DETAIL
(FOR POLES P1, P2 & P3)**

[N.T.S.]



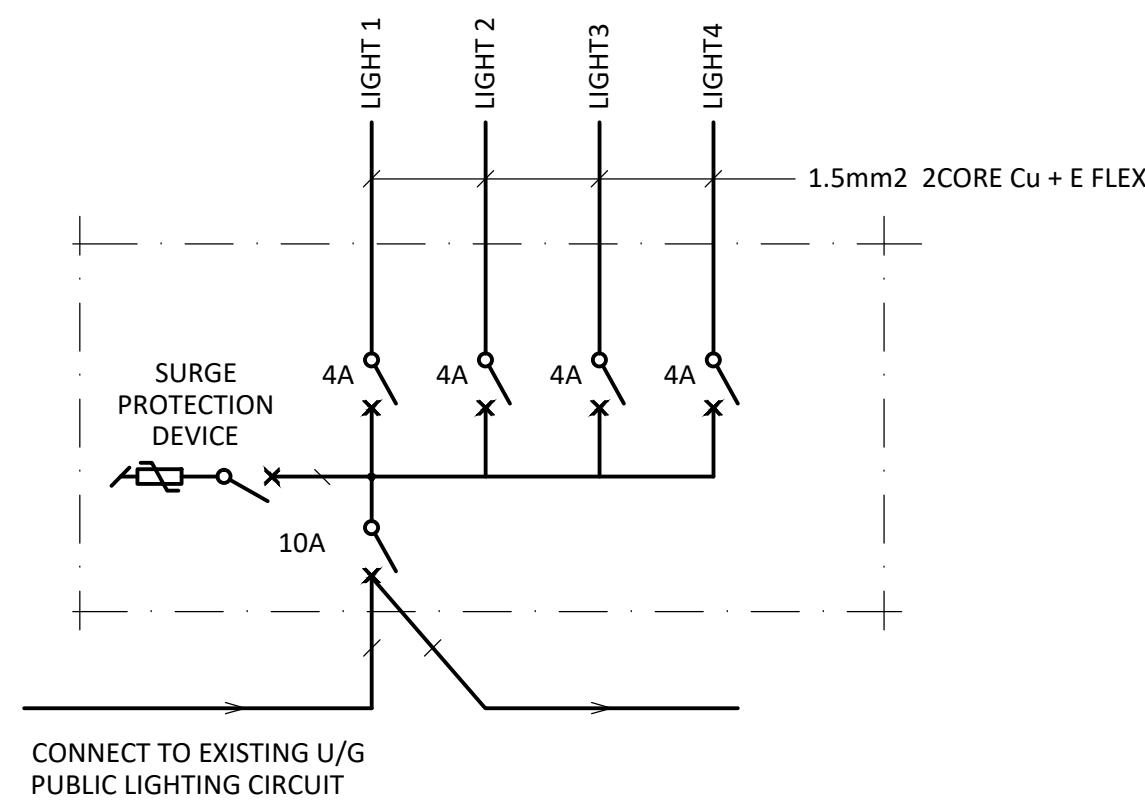
**TYPICAL 4 LUMINAIRE LIGHTING POLE DETAIL
(FOR POLE P4)**

[N.T.S.]

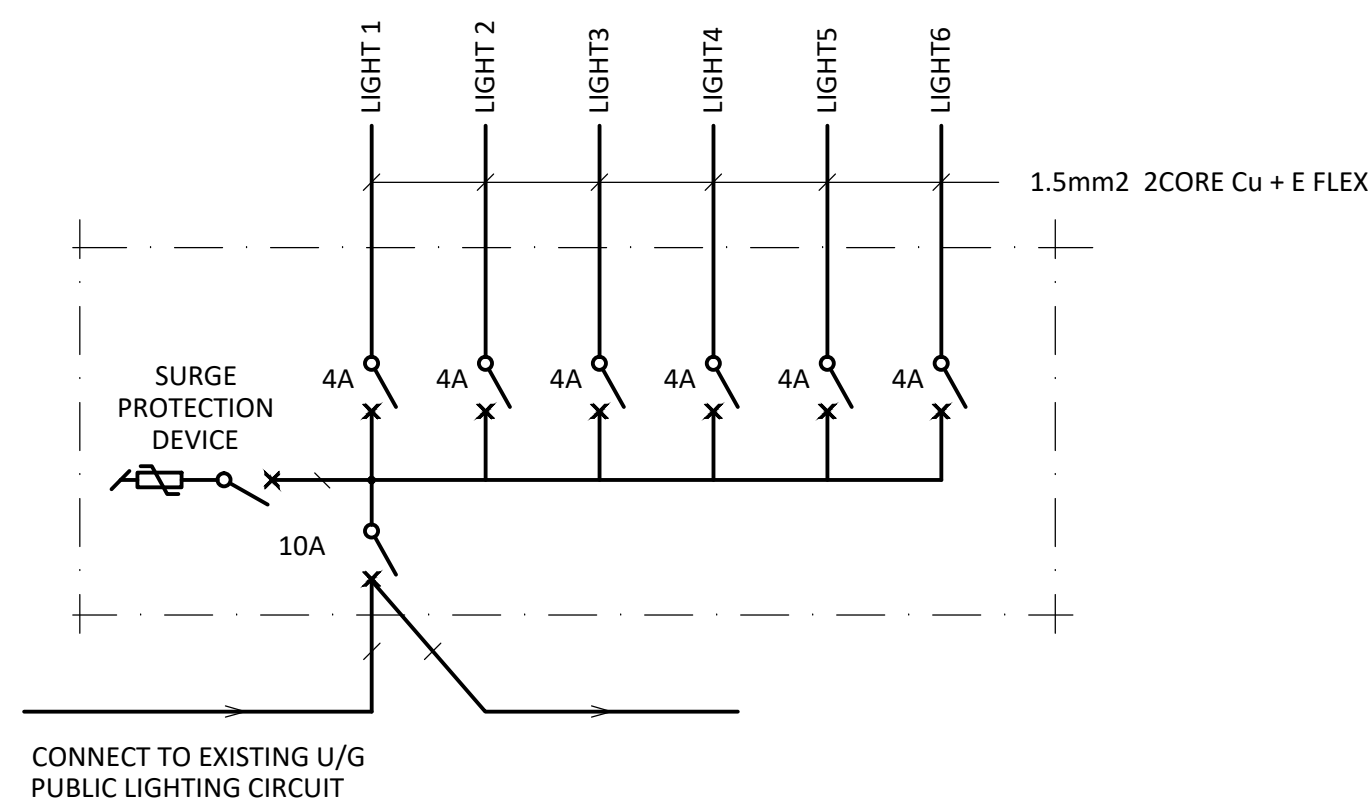


**TYPICAL 6 LUMINAIRE LIGHTING POLE DETAIL
(FOR POLE P5)**

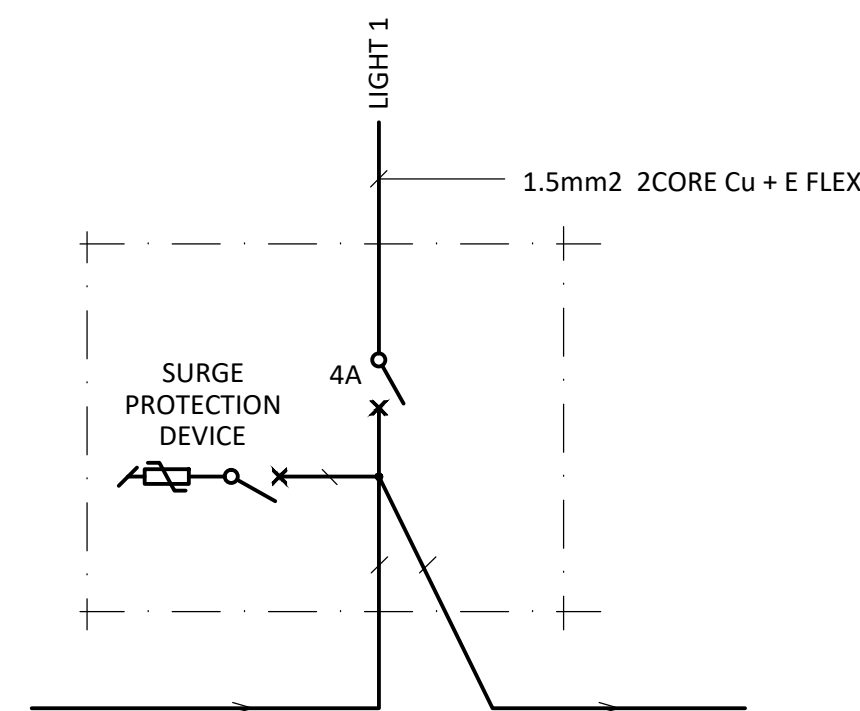
[N.T.S.]



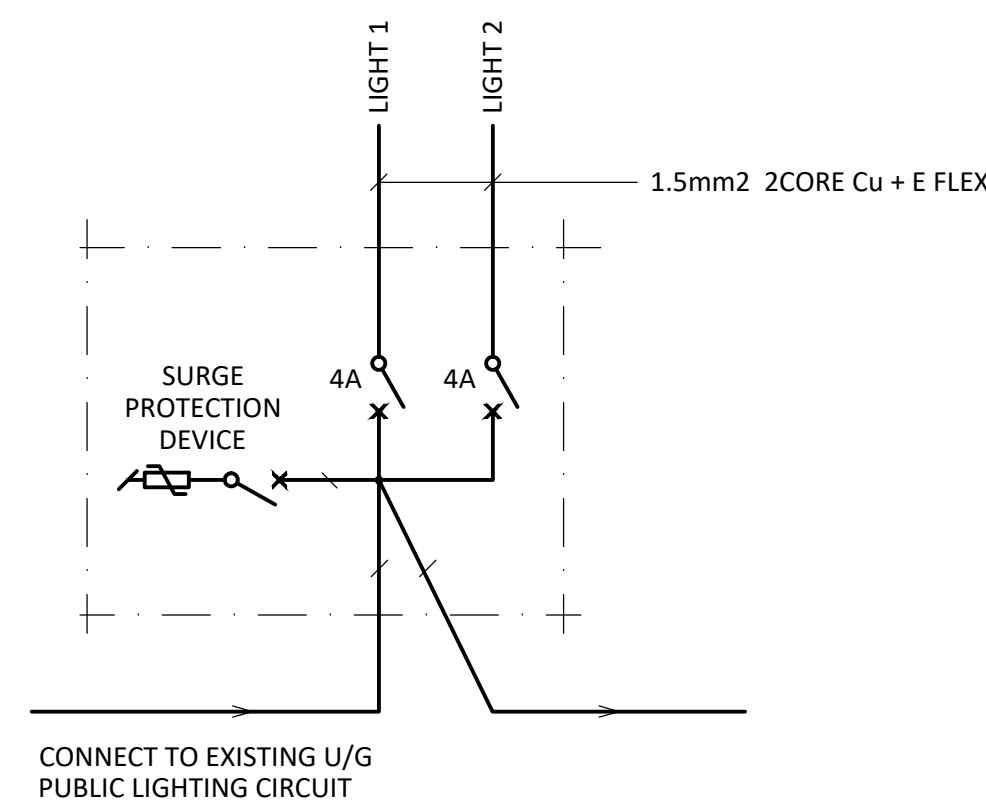
**TYPICAL SCHEMATIC WITHIN POLE
(4 LUMINAIRE LIGHTING POLE SHOWN)**



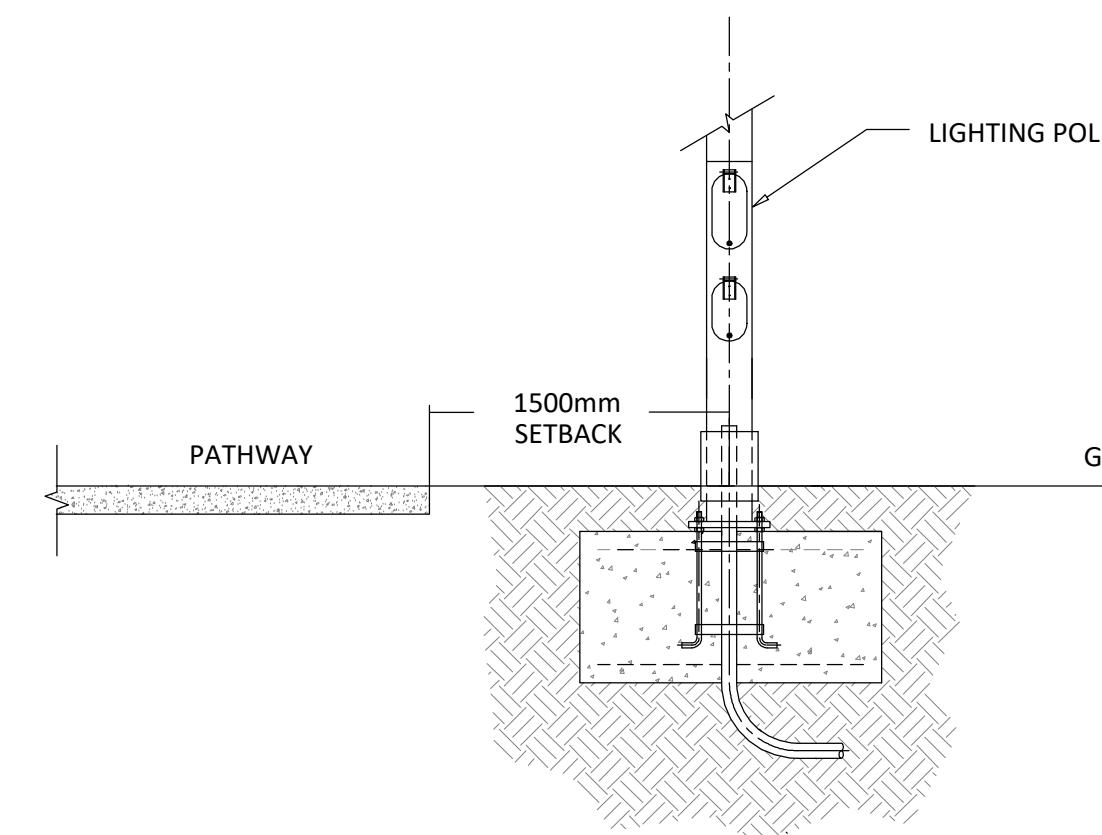
**TYPICAL SCHEMATIC WITHIN POLE
(6 LUMINAIRE LIGHTING POLE SHOWN)**



**TYPICAL SCHEMATIC WITHIN POLE
(SINGLE LUMINAIRE PARK LIGHTING POLE SHOWN)**



**TYPICAL SCHEMATIC WITHIN POLE
(2 LUMINAIRE LIGHTING POLE SHOWN)**

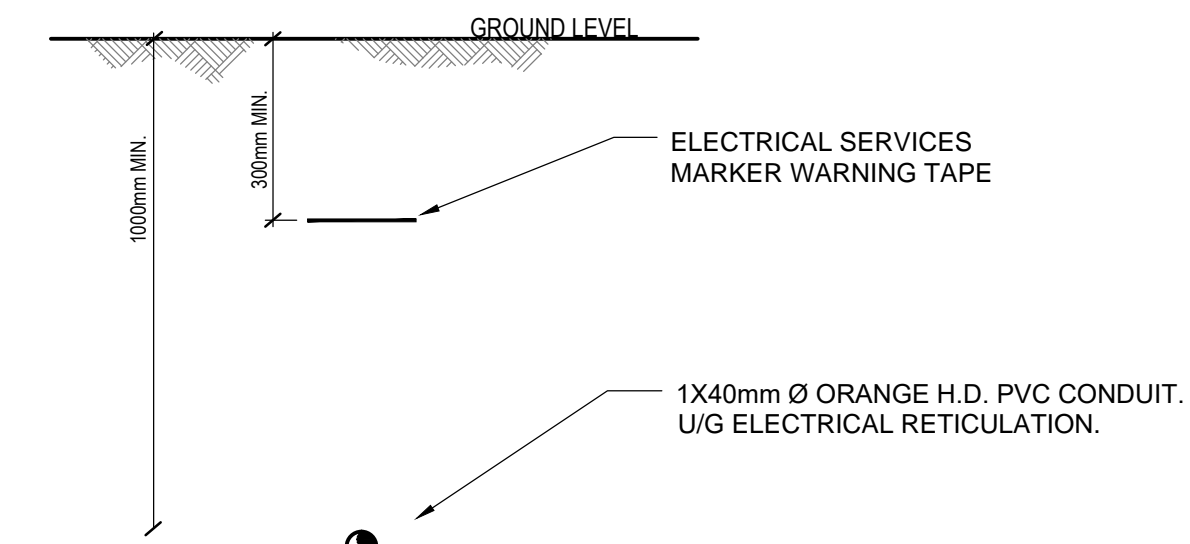


PARK LIGHTING POLES (P6 TO P13) FOOTPATH SET-OUT DETAIL

[N.T.S.]

NOTE

1. ALL POLES SHALL BE SET BACK 1500MM FROM EDGE OF FOOTPATH.
2. ALL POLE LOCATIONS SHALL BE MARKED AND CONFIRMED ON SITE.



TYPICAL UNDERGROUND CONDUIT DETAIL

[N.T.S.]

NOTES

1. MAINTAIN SEGREGATION OF ELECTRICAL SERVICES TO AUTHORITY REQUIREMENTS.
2. FINAL LOCATION OF ALL UNDERGROUND CONDUITS & PITS SHALL BE DETERMINED ON SITE & CO-ORDINATED WITH ALL OTHER SERVICES & LANDSCAPING.
3. ALL CABLES SHALL BE INSTALLED UNDERGROUND AS SHOWN TO AS 3000:2007 REQUIREMENTS & LOCAL SUPPLY AUTHORITY L.V. UNDERGROUND CONDITIONS UNLESS OTHERWISE NOTED.
4. ALL UNDERGROUND ELECTRICAL CONDUIT RETICULATION SHALL BE CO-ORDINATED & APPROVED BY THE SUPERINTENDENT.
5. ALL SPARE UNDERGROUND ELECTRICAL/CONTROL CONDUITS SHALL BE INSTALLED WITH SPARE DRAW ROPES IN EACH RESPECTIVE LENGTH BETWEEN PITS.

DO NOT SCALE - USE WRITTEN DIMENSIONS ONLY

P2	08.09.2023	PRELIMINARY ISSUE UPDATE	LZ
P1	24.05.2023	PRELIMINARY ISSUE	LZ
No.	DATE	AMENDMENTS	AUT

CONSULTANT'S DRAWING APPROVAL

PASSED	APPROVED
LZ	NW

CITY OF MELBOURNE
CITY DESIGN
LEVEL 6 / 240 LT COLLINS STREET
MELBOURNE VIC 3000
TELEPHONE: (03) 9658 8893
FACSIMILE: (03) 9658 8840

HR Consulting Engineers
SUITE 32-33, 150 ALBERT ROAD, SOUTH MELBOURNE, VICTORIA 3205
TEL: (03) 9673 9800 FAX: (03) 9699 8498 EMAIL: hr@hrce.com.au

CLIENT
CITY OF MELBOURNE

PROJECT
CARLTON GARDENS
- PROPOSED PUBLIC LIGHTING UPGRADES
1-111 CARLTON ST, CARLTON VIC 3053

DRAWING
SCHEMATICS & DETAILS

STATUS
PRELIMINARY ISSUE

PASSED / REVIEWED	APPROVED / AUTH. FOR USE
NORTH POINT	DESIGN NW
	DRAWN LZ
	A1 NTS
DATE PLOTTED	A3 NTS
	24.05.2023
PROJ. NO.	DWG. NO.
	4081-E6
	REV. P2

© COPYRIGHT 2010 CITY OF MELBOURNE